

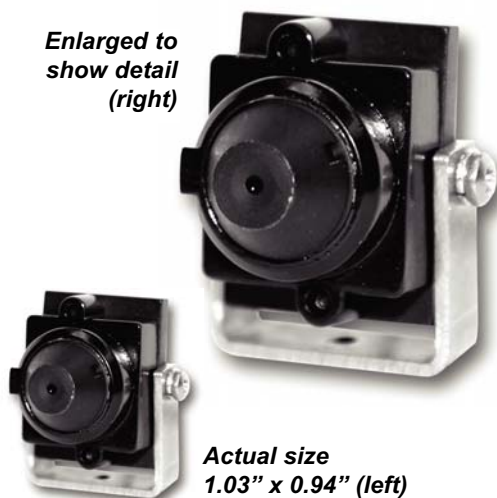
**VIKING**

# TECHNICAL Practice

**TELECOM SOLUTIONS FOR THE 21ST CENTURY**

**VCAM-1**  
Compact Color  
Video Camera Kit  
November 8, 2007

## High-Resolution Micro Color Camera Kit Rated for Extreme Temperatures



The **VCAM-1** is high resolution color composite video camera. Its compact size will allow mounting in even the smallest locations. The extreme temperature rating of this camera, makes it ideal for mounting in outdoor locations in a water tight enclosure.

The **VCAM-1** is a direct replacement for the cameras included in the following Viking models: **AES-2005**, **E-35**, **E-50**, **K-1205**, **K-1705-3** and **W-3005**.

### Features

- Extreme temperature rating: -40°F to 185°F
- Color composite video output for versatility
- Wide 70° viewing angle
- Tilt and swivel adjustment
- Stainless steel mounting hardware included
- Potted circuit board for weather resistance
- 420 lines of resolution
- 6V DC adapter and wire connectors included

### Applications

- Door entry
- Gate entry
- Covert surveillance

Phone... 715.386.8861  
[info@vikingelectronics.com](mailto:info@vikingelectronics.com)

### Specifications

Shipping Weight: 13.4 g (0.036 lbs)  
Operating Temperature: -40°C to 85°C (-40°F to 185°F)  
Connections: (3) gel-filled butt connectors (3M Scotchlok UR2)

(See page 2 for complete specifications)

<http://www.vikingelectronics.com>

## IF YOU HAVE A PROBLEM WITH A VIKING PRODUCT, PLEASE CONTACT: VIKING TECHNICAL SUPPORT AT (715) 386-8666

Our Technical Support Department is available for assistance Monday 8am - 4pm and Tuesday through Friday 8am - 5pm central time. So that we can give you better service, before you call please:

1. Know the model number, the serial number and what software version you have (see serial label).
2. Have your Technical Practice in front of you.
3. It is best if you are on site.

### RETURNING PRODUCT FOR REPAIR

The following procedure is for equipment that needs repair:

1. Customer must contact Viking's Technical Support Department at 715-386-8666 to obtain a Return Authorization (RA) number. The customer MUST have a complete description of the problem, with all pertinent information regarding the defect, such as options set, conditions, symptoms, methods to duplicate problem, frequency of failure, etc.
2. Packing: Return equipment in original box or in proper packing so that damage will not occur while in transit. Static sensitive equipment such as a circuit board should be in an anti-static bag, sandwiched between foam and individually boxed. All equipment should be wrapped to avoid packing material lodging in or sticking to the equipment. Include ALL parts of the equipment. C.O.D. or freight collect shipments cannot be accepted. Ship cartons prepaid to: **Viking Electronics, 1531 Industrial Street, Hudson, WI 54016**
3. Return shipping address: Be sure to include your return shipping address inside the box. We cannot ship to a PO Box.
4. RA number on carton: In large printing, write the R.A. number on the outside of each carton being returned.

### RETURNING PRODUCT FOR EXCHANGE

The following procedure is for equipment that has failed out-of-box (within 10 days of purchase):

1. Customer must contact Viking's Technical Support at 715-386-8666 to determine possible causes for the problem. The customer MUST be able to step through recommended tests for diagnosis.
2. If the Technical Support Product Specialist determines that the equipment is defective based on the customer's input and troubleshooting, a Return Authorization (R.A.) number will be issued. This number is valid for fourteen (14) calendar days from the date of issue.
3. After obtaining the R.A. number, return the approved equipment to your distributor, referencing the R.A. number. Your distributor will then replace the product over the counter at no charge. The distributor will then return the product to Viking using the same R.A. number.
4. **The distributor will NOT exchange this product without first obtaining the R.A. number from you. If you haven't followed the steps listed in 1, 2 and 3, be aware that you will have to pay a restocking charge.**

### LIMITED WARRANTY

Viking warrants its products to be free from defects in the workmanship or materials, under normal use and service, for a period of one year from the date of purchase from any authorized Viking distributor or 18 months from the date manufactured, whichever ever is greater. If at any time during the warranty period, the product is deemed defective or malfunctions, return the product to Viking Electronics, Inc., 1531 Industrial Street, Hudson, WI., 54016. Customer must contact Viking's Technical Support Department at 715-386-8666 to obtain a Return Authorization (R.A.) number.

This warranty does not cover any damage to the product due to lightning, over voltage, under voltage, accident, misuse, abuse, negligence or any damage caused by use of the product by the purchaser or others.

NO OTHER WARRANTIES. VIKING MAKES NO WARRANTIES RELATING TO ITS PRODUCTS OTHER THAN AS DESCRIBED ABOVE AND DISCLAIMS ANY EXPRESS OR IMPLIED WARRANTIES OR MERCHANTABILITY OR FITNESS FOR ANY PARTICULAR PURPOSE.

EXCLUSION OF CONSEQUENTIAL DAMAGES: VIKING SHALL NOT, UNDER ANY CIRCUMSTANCES, BE LIABLE TO PURCHASER, OR ANY OTHER PARTY, FOR CONSEQUENTIAL, INCIDENTAL, SPECIAL OR EXEMPLARY DAMAGES ARISING OUT OF OR RELATED TO THE SALE OR USE OF THE PRODUCT SOLD HEREUNDER.

EXCLUSIVE REMEDY AND LIMITATION OF LIABILITY. WHETHER IN AN ACTION BASED ON CONTRACT, TORT (INCLUDING NEGLIGENCE OR STRICT LIABILITY) OR ANY OTHER LEGAL THEORY, ANY LIABILITY OF VIKING SHALL BE LIMITED TO REPAIR OR REPLACEMENT OF THE PRODUCT, OR AT VIKING'S OPTION, REFUND OF THE PURCHASE PRICE AS THE EXCLUSIVE REMEDY AND ANY LIABILITY OF VIKING SHALL BE SO LIMITED.

IT IS EXPRESSLY UNDERSTOOD AND AGREED THAT EACH AND EVERY PROVISION OF THIS AGREEMENT WHICH PROVIDES FOR DISCLAIMER OF WARRANTIES, EXCLUSION OF CONSEQUENTIAL DAMAGES, AND EXCLUSIVE REMEDY AND LIMITATION OF LIABILITY, ARE SEVERABLE FROM ANY OTHER PROVISION AND EACH PROVISION IS A SEPARABLE AND INDEPENDENT ELEMENT OF RISK ALLOCATION AND IS INTENDED TO BE ENFORCED AS SUCH.

### PART 15 LIMITATIONS

This equipment has been tested and found to comply with the limits for a Class A digital device, pursuant to Part 15 of the FCC Rules. These limits are designed to provide reasonable protection against harmful interference when the equipment is operated in a commercial environment. This equipment generates, uses, and can radiate radio frequency energy and, if not installed and used in accordance with the instruction manual, may cause harmful interference to radio communications. Operation of this equipment in a residential area is likely to cause harmful interference in which case the user will be required to correct the interference at his own expense.

## Specifications

### Electrical

**Image Sensor:** 1/4" color CMOS  
**Active Pixels:** 640 x 480 @ 30 fps  
**Resolution:** 420TVL  
**Sensitivity:** 0.26 lux (20 IRE) F 2.0  
**Lens:** 3.4mm pinhole, semi-conical  
**FOV (Field of View):** 70°  
**Signal to Noise Ratio:** 46 dB  
**Gamma:** 0.45  
**Gain:** Automatic 36 dB  
**Synchronization:** Internal  
**Back Light Compensation:** Off  
**White Balance:** AWB  
**Shutter Mode:** Electronic rolling shutter  
**Shutter Speed:** Auto exposure or fixed  
**Frame Rate:** 30 fps  
**Scan Mode:** Interlaced  
**Contour Enhancement:** Enabled  
**Dynamic Range:** 73.4 dB  
**Iris Controls:** Electronic (no DC signal)  
**Video Output:** 1V p-p composite, NTSC, 75 Ohms

**Power Input:** 5-9V DC regulated (polarity protected) 6V DC adapter included

**Power Consumption:** < 150mA

**Connector:** 6 pin JST SHR-06V-S-B

**Wire:** 7" flying leads, 24 AWG stranded, yellow = video out, red = +6VDC, black = -/GND

**Maximum Wire Run Length:** 1000 ft with RG59/RG6 for video and CAT5 for power (doubled pairs) and entry phone audio. 150 ft with CAT5E for video, power and entry phone audio (longer video runs are possible by using video balun transceivers, see **Installation** section).

### Environmental

**Operating Temperature:** -40°C / -40°F ~ 85° / 185°F

**Storage Temperature:** -40°C / -40°F ~ 90° / 194°F

**Operating Humidity:** 5% - 95% non-condensing

### Mechanical

**Dimensions WxHxD:** 26mm x 24mm x 19mm (1.03" x 0.94" x 0.76")

**Weight:** 13.4g (0.036 lbs)

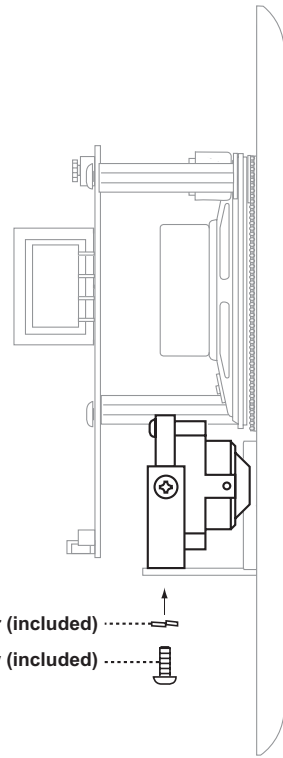
# Installation

## A. Mounting



**IMPORTANT:** Electronic devices are susceptible to lightning and power station electrical surges from both the AC outlet and the telephone line. It is recommended that a surge protector be installed to protect against such surges. Contact Panamax at (800) 472-5555 or Electronic Specialists Inc. at (800) 225-4876.

**Note:** The recommended camera mounting height is 50.0" - 56.0" from the ground.



**Example:**  
Side View of  
Model E-50  
(not included)

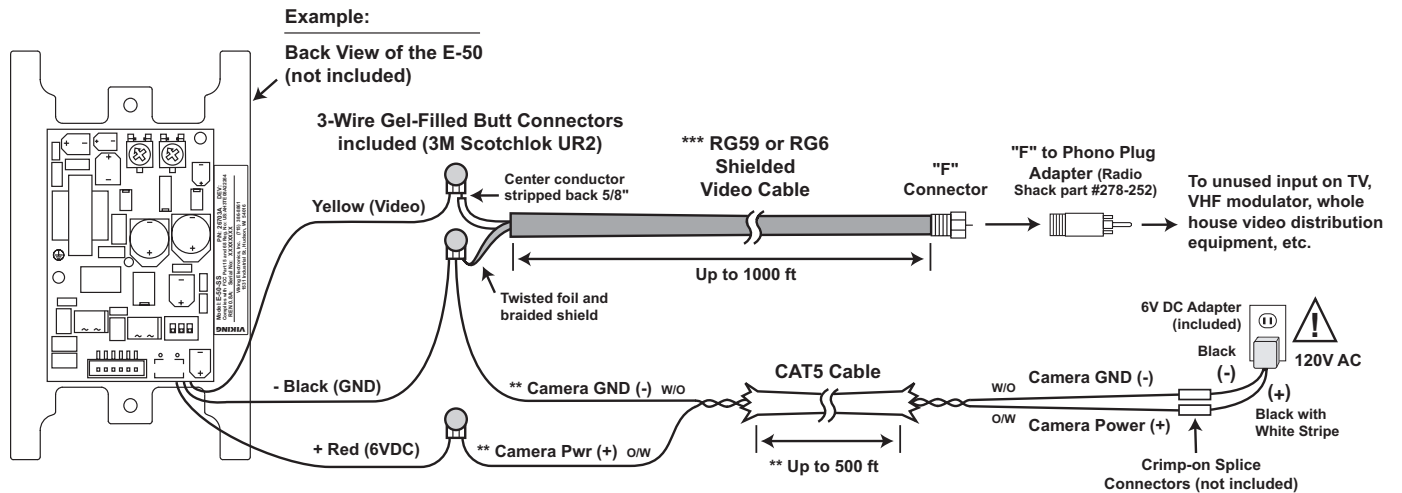
#2 Lock Washer (included) .....  
#2-56 x 3/16 Phillips Screw (included) .....

## B. Wiring

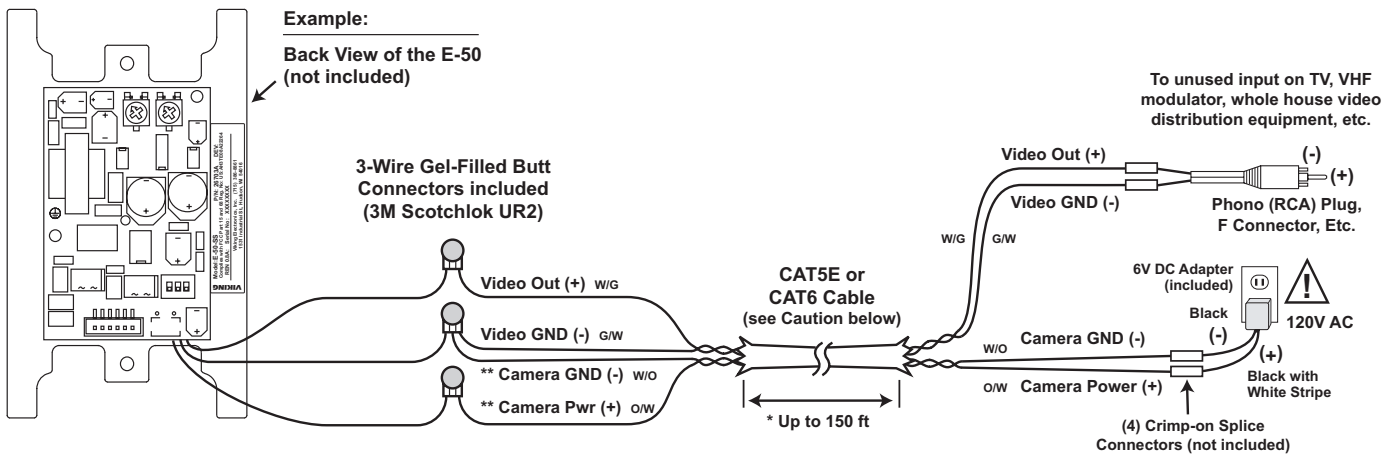


**IMPORTANT:** Electronic devices are susceptible to lightning and power station electrical surges from both the AC outlet and the telephone line. It is recommended that a surge protector be installed to protect against such surges. Contact Panamax at (800) 472-5555 or Electronic Specialists Inc. at (800) 225-4876.

### 1. Using RG59 for Video and CAT5 for Camera Power and Phone Board Audio (Recommended)



## 2. Using CAT5E or CAT6 for Video, Camera Power and Phone Board Audio (see Caution below)



**\* Note:** Up to 150 ft video cable run length can be achieved using CAT5E or CAT6 cable. Longer cable runs can be used if a passive or active video Balun transceiver is used on each end of the cable. Generally, passive transceivers can achieve up to 750 ft cable runs where active transceivers can achieve up to 3000 ft runs depending on cable type, etc. The type of video balun transceiver required is specific to your cable run length. For more information on video balun transceivers go to: [www.northernvideo.com](http://www.northernvideo.com).

**\*\* Note:** The maximum camera power supply wire run length is 500 ft of 24 gauge wire (CAT 5/6), longer runs are possible by doubling pairs or increasing the wire gauge.

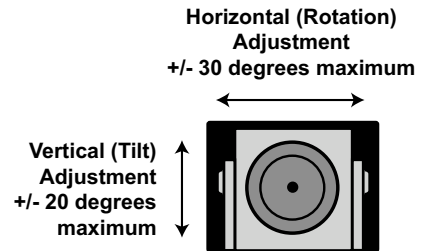
**\*\*\* Note:** RG59 or RG6 with solid center conductor and 95% bare copper braid shield.

**Caution:** When routing CAT5E or CAT6 cable, maintain a minimum distance of 3 ft from any parallel high voltage wire (110 VAC) and a minimum of 2 ft from crossing any high voltage wire. For installations where RF noise is expected (commercial applications) or wire runs are near high voltage (110 VAC) wires, a shielded video cable such as RG6 is recommended.

## C. Adjusting the Camera

The camera can be tilted and rotated to your desired position. A portable service (test) monitor can be used to determine the correct viewing angle during installation.

**Important:** To prevent the edge of the faceplate from being viewed in the video image, do not rotate the camera beyond 30 degrees or tilt beyond 20 degrees.



**Product Support Line...715.386.8666**

**Fax Back Line...715.386.4345**

Due to the dynamic nature of the product design, the information contained in this document is subject to change without notice. Viking Electronics, and its affiliates and/or subsidiaries assume no responsibility for errors and omissions contained in this information. Revisions of this document or new editions of it may be issued to incorporate such changes.